

# RURAL MUNICIPALITY OF LEROY NO. 339

WEST OF 2nd

DONNA TYMIK - ADMINISTRATOR

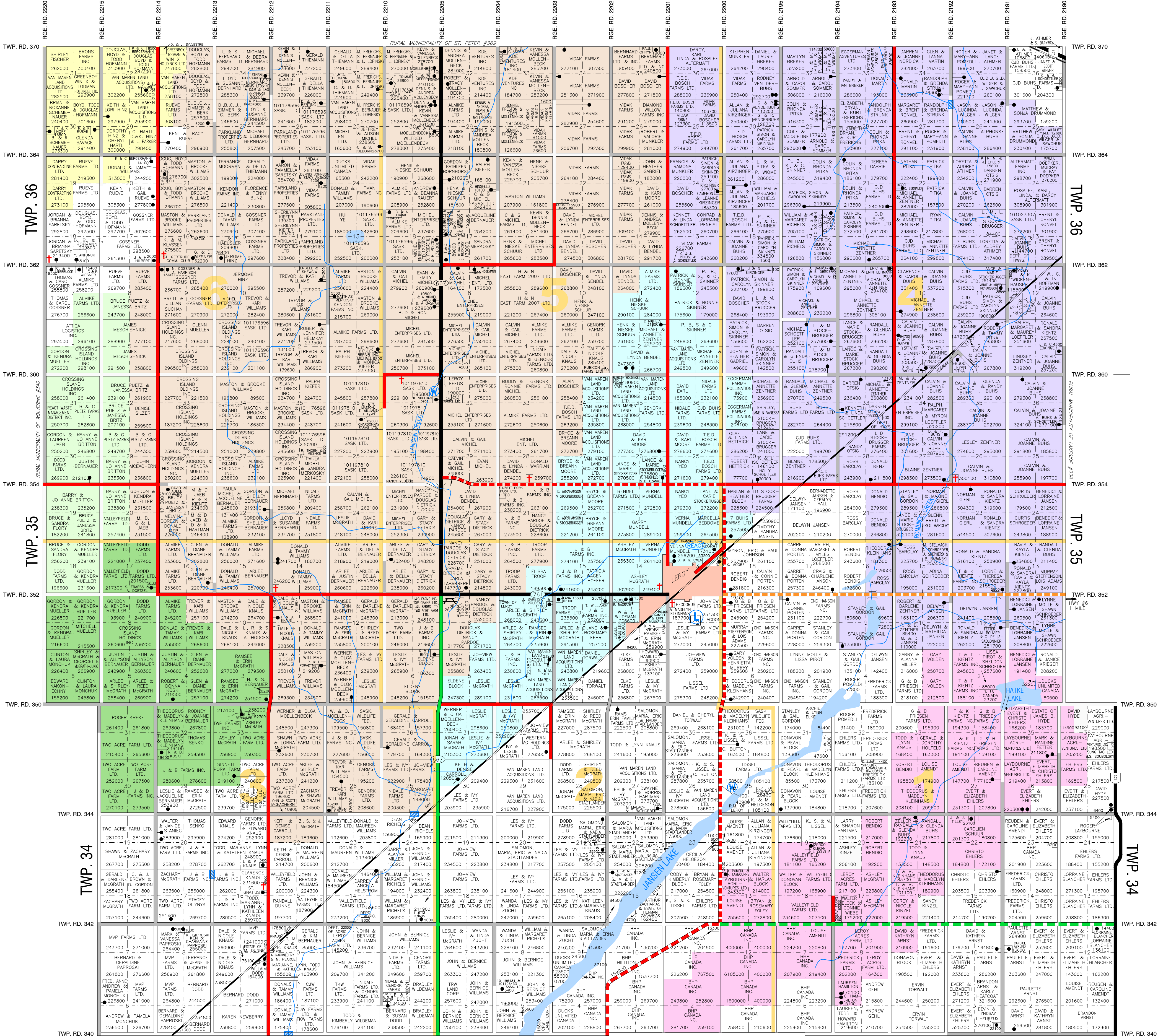
BOX 100 LEROY, SK. S0K 2P0 PH. 306-286-3261 FAX. 306-286-3400

website: www.rmleroy.ca email: rm339@sasktel.net

R. 21

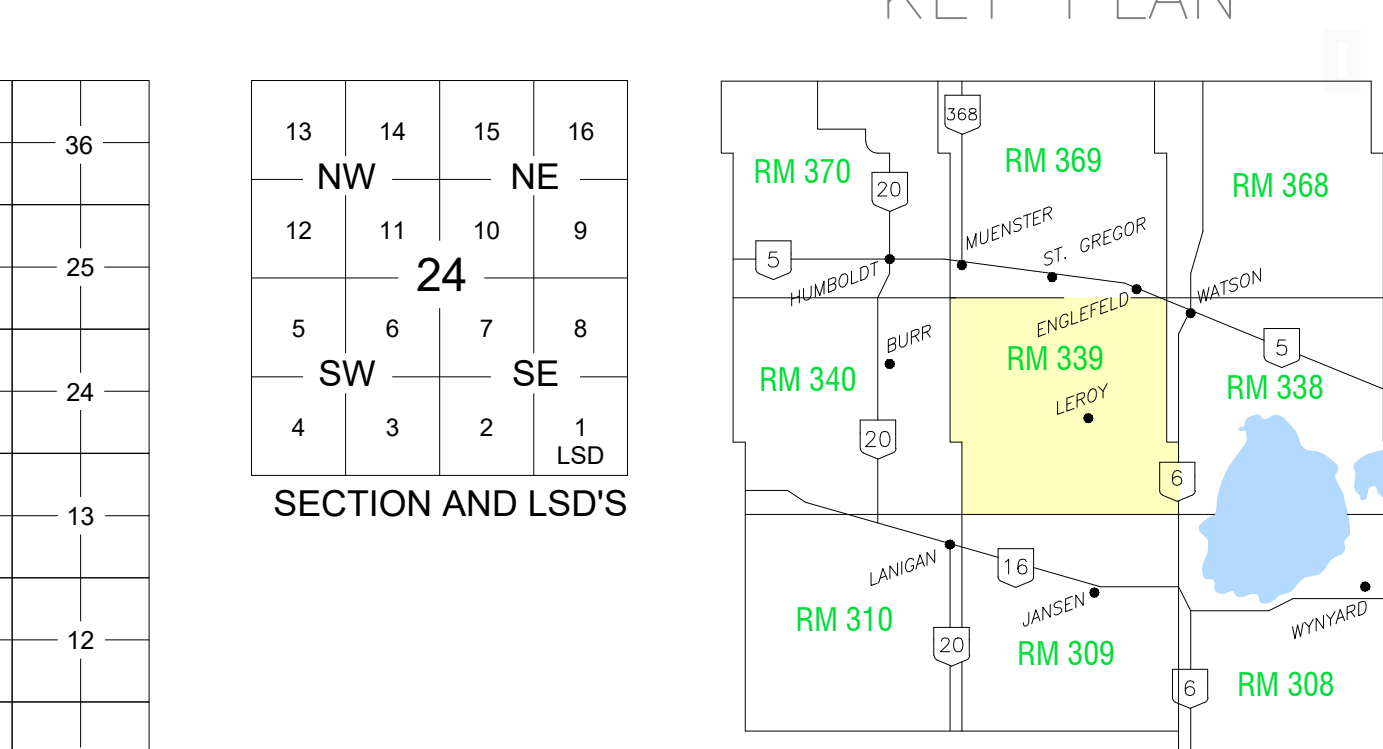
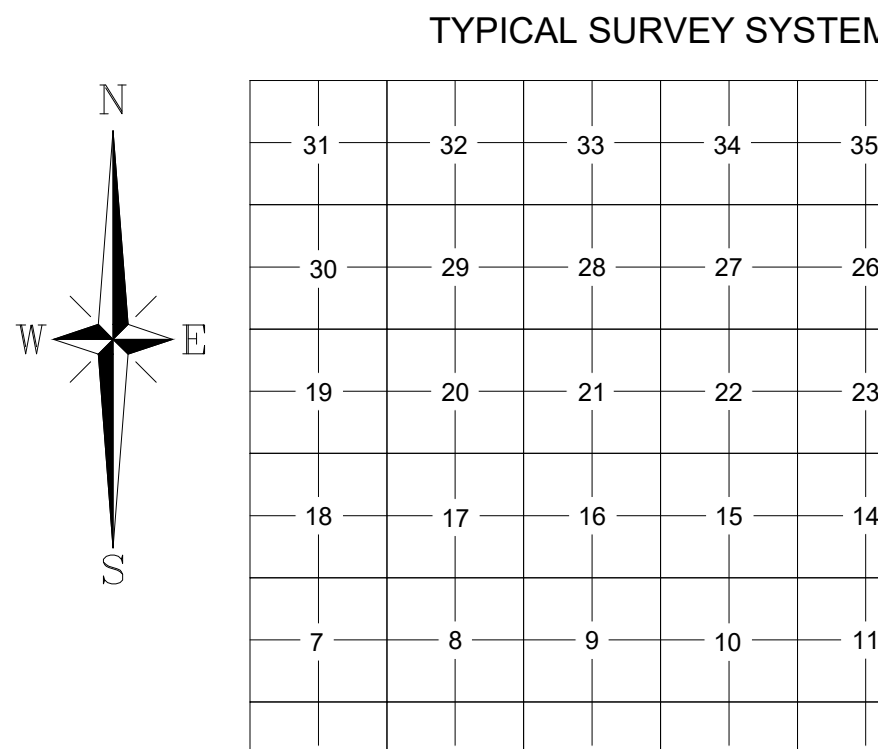
R. 20

R. 19



- C & D AREAS**
- ST. PETER
  - HATKE LAKE
  - LEROY WEST
  - ST. GREGOR SOUTH
  - BURR NORTH
  - HUNTER CREEK
  - ATTICA
  - UPPER HUNTER

- LEGEND**
- PROVINCIAL HIGHWAY
  - SPECIAL - SEALED
  - CLASS 4 ROAD (PAVED)
  - CLASS 4 ROAD (GRAVEL)
  - CLASS 5 ROAD
  - CLASS 5 ROAD (PAVED)
  - IMPROVED MUNICIPAL ROAD
  - RAILWAY
  - DIVISION BOUNDARY
  - BRIDGE
  - LOW LEVEL CROSSING
  - CEMETERY
  - RESIDENCE
  - COMMUNITY WELL



NOTE: ASSESSMENTS NOT CERTIFIED CORRECT. WSP DOES NOT MAKE ANY CLAIMS WITH REGARD TO THE ACCURACY OF THIS MAP. IT IS THE RESPONSIBILITY OF THE USER TO VERIFY ALL DATA BEFORE USE.

ASSESSED LAND VALUES ARE SHOWN, NOT TAXABLE LAND VALUES. BUILDING/IMPROVEMENT ASSESSMENT VALUES ARE NOT INCLUDED.

TOWNSHIP AND SECTIONS

REVISED MAY, 2024