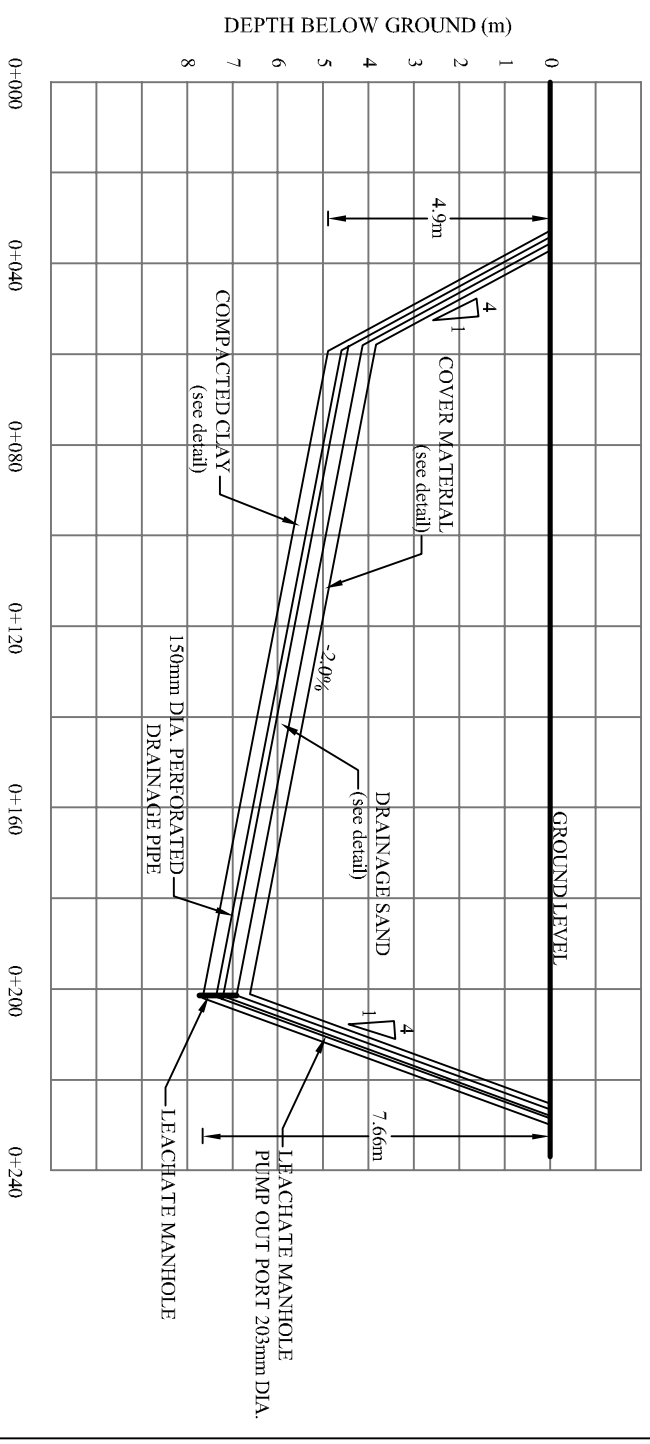
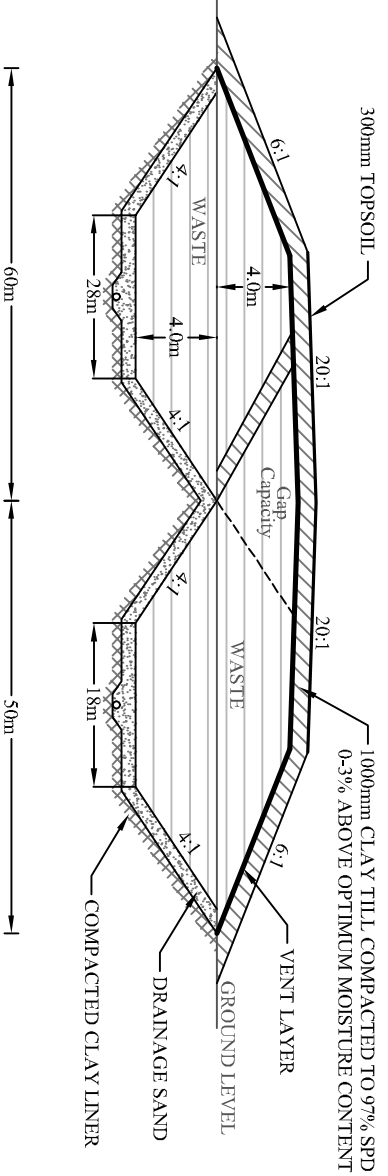


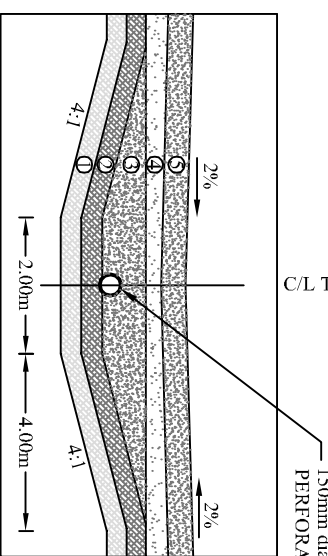
TYPICAL LANDFILL CELL - PLAN VIEW



TYPICAL LANDFILL CELL - LONGITUDINAL SECTION



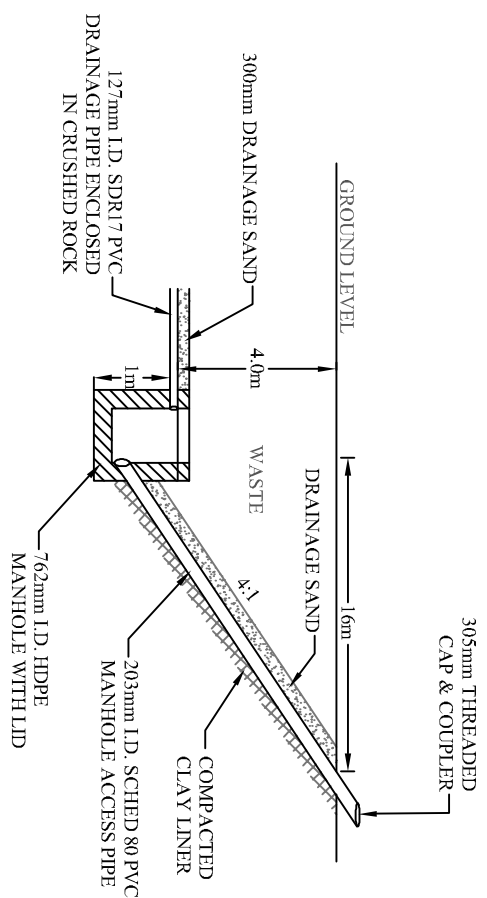
TYPICAL LANDFILL CELLS 1 & 2 (MOUND 1) - CROSS SECTION



C/L TYPICAL CELL

- ① 150mm SCARIFY AND COMPACT IN-PLACE TO 97% SPD 0-3% ABOVE OPTIMUM MOISTURE CONTENT
- ② 300mm DEEP CLAY LINER CONSTRUCT IN 2-150mm LIFTS COMPACT EACH LAYER TO 97% SPD 0-3% ABOVE OPTIMUM MOISTURE CONTENT
- ③ 300mm DEEP CRUSHED ROCK c/w WOVEN GEOTEXTILE AROUND ROCK. OVER LAP MINIMUM 600mm
- ④ 300mm DEEP DRAINAGE SAND COMPACTED TO 97% STANDARD PROCTOR DENSITY
- ⑤ 300mm DEEP COVER MATERIAL

TYPICAL LANDFILL CELL - DRAIN DETAIL



TYPICAL LANDFILL CELL - PUMPOUT MANHOLE DETAIL

NOTES: Specifications for Coarse Crushed Rock, Drainage Sand, and Cover Material (Base Course MR85 SHT)

NO.	DATE	ENG.	BY	SUBJECT

REVISIONS			



Madison RS Engineering Inc.



DATE:	29 JUL 15	DRAWN BY:	WMB	APPROVED BY:	WAJ
SCALE:	NTS	WM FILE NO:	WM372.2	WM FIGURE NO:	6.2
CLIENT:	REACT				
PROJECT:	REGIONAL LANDFILL - DEVELOPMENT PERMIT				
TITLE:	TYPICAL LANDFILL CELL DETAILS				